

## Nominal data

Type	4184 NGX	
Nominal voltage	VDC	24
Nominal voltage range	VDC	12 .. 31,5
Speed	min <sup>-1</sup>	2800
Power input	W	3.6
Min. ambient temperature	°C	-20
Max. ambient temperature	°C	75
Air flow	m <sup>3</sup> /h	160
Sound power level	B	5.3
Sound pressure level	dB(A)	44

ml = Max. load · me = Max. efficiency · fa = Running at free air · cs = Customer specs · cu = Customer unit  
Subject to alterations

4184 NGX

## DC axial compact fan

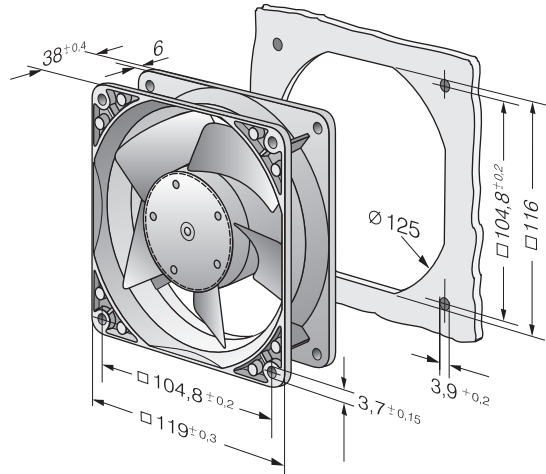
### Technical features

<b>Impeller material</b>	Fibreglass-reinforced plastic (PA)
<b>Mass</b>	0.390 kg
<b>Dimensions</b>	119 x 119 x 38 mm
<b>Housing material</b>	Die-cast aluminium
<b>Direction of air flow</b>	Inlet over bars
<b>Direction of rotation</b>	Clockwise, looking at rotor
<b>Bearing</b>	Sintec sleeve bearing
<b>Lifetime L10 at 40 °C</b>	85000 h
<b>Lifetime L10 at maximum temperature</b>	37500 h
<b>Connection line</b>	Flat plugs 2.8 x 0.5 mm. Optionally also available with strands.
<b>Motor protection</b>	Protected against reverse polarity and locking.
<b>Approval</b>	VDE, CSA, UL, CE
<b>Option</b>	Speed signal

4184 NGX

# DC axial compact fan

## Product drawing



Charts: Air flow

